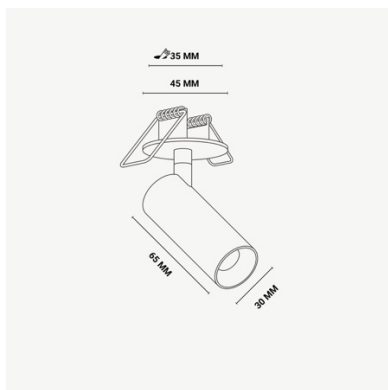


LED spot SPOT30 - adjustable



DIMENSIONS



Category	Spot
Colour	Black / White
Dimensions	ø30 x 65 mm
Light source	LED (integrated)
Power	8 W
Luminous flux	418 Lm
Colour temperature	2700K / 3000K
Colour Rendering Index	CRI>90
Efficacy	52 Lm/W
Lifetime	>50.000h
Beam angle	15D / 24D / 36D (Standard)
Driver	Included
Input voltage	220 – 240 V
Dimmable	Yes
IP rating	IP20
Weight	0,2 kg
Material	Aluminum
Warranty	5 years

